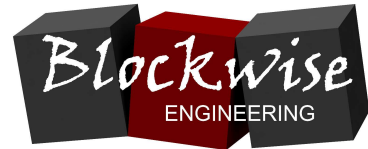


High Pressure Simpluer CHA



Blockwise Engineering, LLC
<http://www.blockwise.com>

The Simpluer™ panel-mounted quick connectors for luer fittings provide a fast, ergonomic, and reliable connection to your luer-equipped product for processing or testing. **Simpluer Model CHA** is suitable for high pressure applications and applications where a completely leak-tight seal is required.

Operation is simple:

Apply pilot pressure (manually or automatically) to open the face, allowing insertion of your luer fitting, then insert the fitting. Remove pilot pressure. An internal spring causes the connector to engage and seal your fitting on the ID. Run your process or test through the main port.

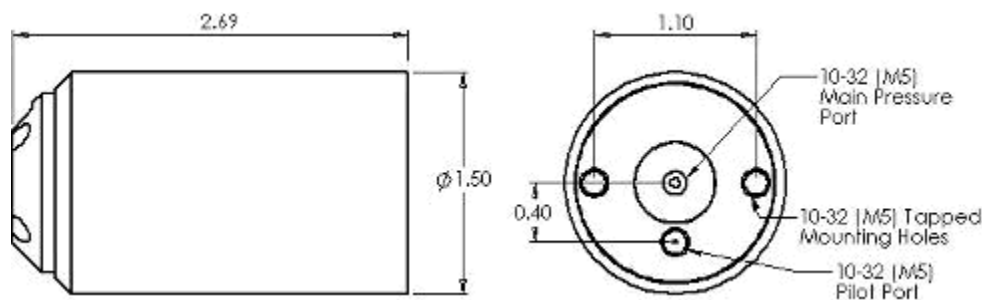


Features:

- Suitable for process pressures up to 500 psi [34 bar]
- Product contact parts made from 316 stainless steel
- Panel mounting with screws from rear or, with optional bracket, from front
- Straight-through port allows guide wires to pass through connector
- Tolerant of luer fitting misalignment; loading is quick and fool-proof
- Optional O-ring seal on the luer taper
- Small size
- Quick & safe operation

Specifications:

Body Material	Aluminum, anodized Mil-A-8625, Type II clear
Face and Male Luer Fitting Material	316 Stainless steel
Optional O-ring Seal Materials	Buna-N (Nitrile) or Silicone
Recommended Pilot Pressure	50 to 100 psi
Main (Process) Pressure Rating	Full vacuum to 500 psi (34 bar)



Installation & Operating Instructions:

Mounting:

Two 10-32 tapped holes are provided for mounting from the rear. An optional face mounting bracket is available.

Fluid Connections:

1. Attach a regulated pneumatic pressure source to the pilot pressure port. Note that when the pilot pressure is activated, the face plate will extend so that your Luer fitting may be inserted.
2. Attach the process line to the main pressure port.

O-ring Seal:

3. The O-ring seal on the male luer taper may be used to provide redundant sealing for sensitive leak testing. For most applications the Simpluer can be used without an O-ring with no leakage.
4. The Simpluer is shipped with a Buna-N (Nitrile) O-ring installed. Spare Buna-N (black) and Silicone (orange) O-rings are included. Use Buna-N for better wear life.
5. To replace the O-Ring, use a plastic tool to cut out the old O-ring. Replacement O-rings are available from Blockwise or other sources. O-rings are: AS568A dash number 001-1/2, 70A.

Operation:

1. Activate pilot pressure (this will extend the face plate forward).
2. Insert your luer fitting into the face plate.
3. Deactivate pilot pressure to seal the connection.
4. Run your process or test through the main port.
5. Activate pilot pressure to disengage the seal.
6. Remove the luer fitting.

Optional Face Mounting Bracket

The face mount bracket attaches to the back of the connector, allowing use of mounting screws from the front.

