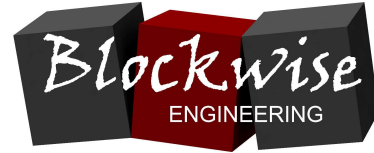


Low Pressure Simpluer CAA



Blockwise Engineering, LLC
<http://www.blockwise.com>

The Simpluer™ panel-mounted quick connectors for luer fittings provide a fast, ergonomic, and reliable connection to your luer-equipped product for processing or testing. **Simpluer Model CAA** is suitable for low pressure applications where a trace of leakage is tolerable.



Operation is simple:

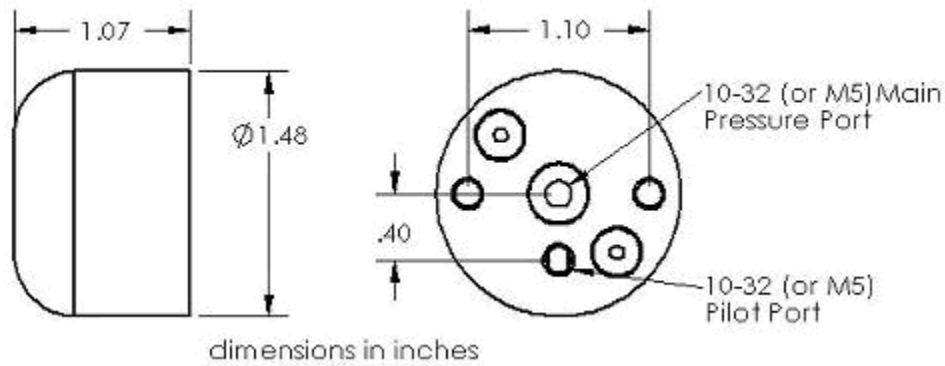
Insert your luer fitting, then apply pilot pressure (either manually or automatically) to seal on the outside (threads) of your fitting, then run your process or test through the main port.

Features:

- Suitable for process pressures up to 80 psi [5.5 bar]
- Material certification available for seal material
- Panel mounting with screws from rear or, with optional bracket, from front
- Straight-through port allows guide wires to pass through connector
- Tolerant of luer fitting misalignment; loading is quick and fool-proof
- Small size
- Quick & safe operation

Specifications:

Body & Face Material	Aluminum, anodized Mil-A-8625, Type II clear
Seal Material	Masterflex C-Flex R70 Tubing The tubing used in the Simpluer is approved under FDA 21 CFR, 177.1810 and 21 CFR B 820, FDA Master File #266. The manufacturer has submitted samples of the proprietary compound to an independent biological laboratory to undergo USP Class VI Toxicity Tests, Pyrogens, Heavy Metals (identified as lead), Tissue Culture, and Hemolysis Tests, and have passed according to protocol.
Maximum Pilot Pressure	100 psi
Maximum Main (Process) Pressure	<100 psi (max pressure for reliable sealing varies slightly depending on the design of your luer fitting; 80 psi is typical)



Installation & Operating Instructions:

Mounting:

Two 10-32 tapped holes are provided for mounting from the rear. An optional face mounting bracket is available.

Fluid Connections:

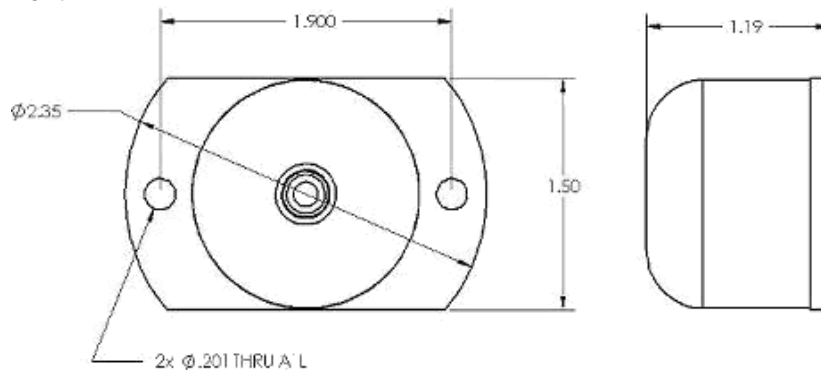
1. Attach a regulated pneumatic pressure source to the pilot pressure port.
2. Attach the process line to the main pressure port.

Operation:

1. Insert your luer fitting into connector.
2. Activate pilot pressure. (Pilot pressure should be set high enough to achieve a good seal.)
3. Run your process or test through the main port.
4. Relieve pilot pressure.
5. Remove the luer fitting from connector.

Optional Face Mounting Bracket

The face mount bracket attaches to the back of the connector, allowing use of mounting screws from the front.



Simpluer CAA
Mounted in a
Panel